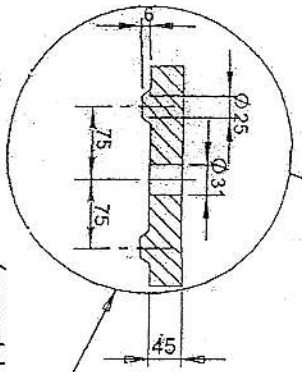
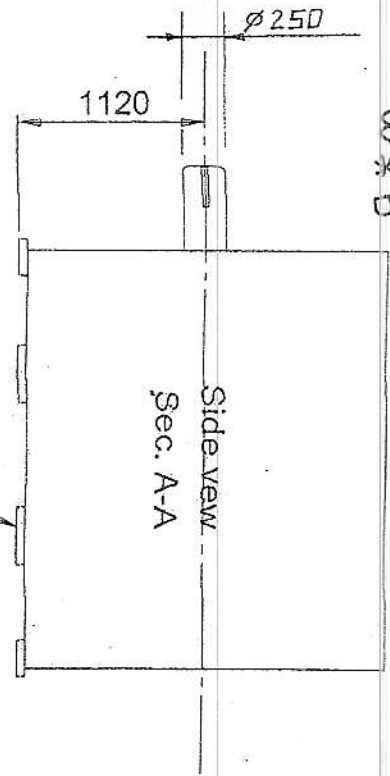
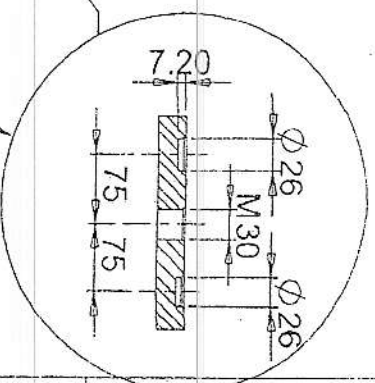
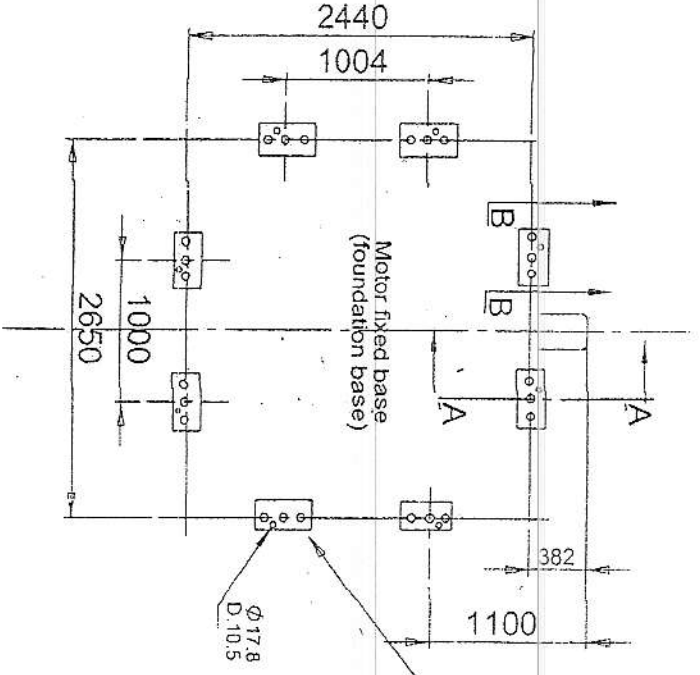


Key = 56 * 32 mm
W * D



Motor base
(must be sitting fit to foundation base)



fixed foundation base

Signature
Eng. Iqbal Khatun

UNLESS OTHERWISE SPECIFIED: DIMENSIONS ARE IN MILLIMETERS		FINISH:	DEBUR AND BREAK SHARP EDGES	DO NOT SCALE DRAWING	REVISION
TOLERANCES: LINEAR: ANGULAR:		09/01/2012			
DRAWN	NAME	SIGNATURE	DATE	TITLE	
CHKD				KUFA CEMENT PLANT 3400 KW cement mill Motor	
APPRD					
MFG					
QA					
MATERIAL:				DWG NO.	
				5	A4